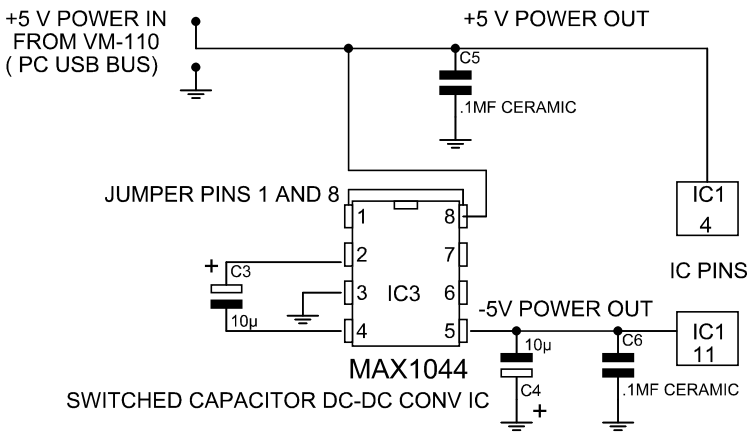
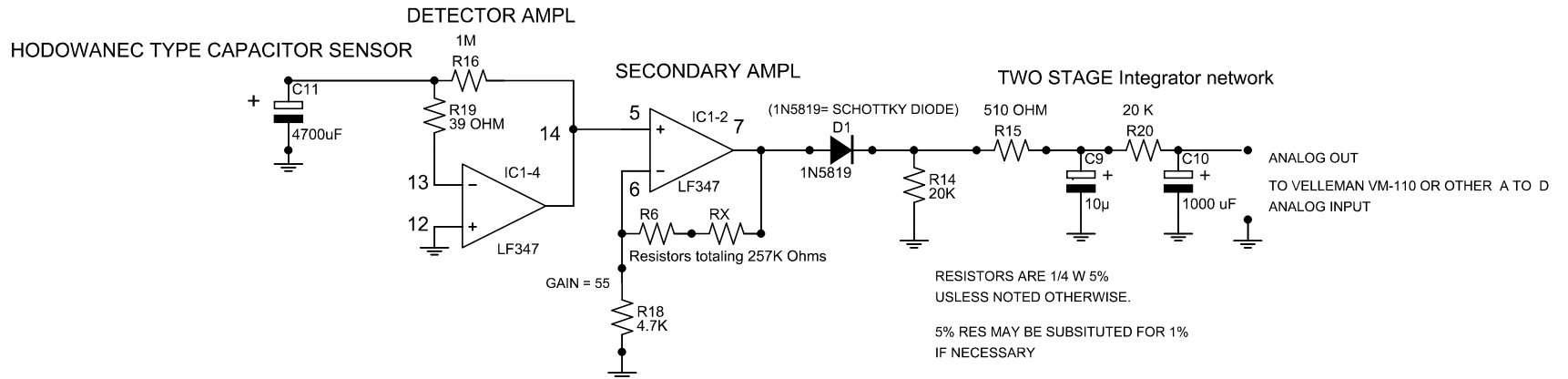


For Experimental Detection of ULF Activity



THIS CIRCUIT IS DESIGNED FOR SCIENTIFIC USE
IN THE DETECTION OF ULTRA LOW FREQUENCY SCALAR ACTIVITY

IT IS DESIGNED TO BE INTERFACED WITH A VELLEMAN VM-110 / K8055
A TO D AND PC USB INTERFACE BOARD OR OTHER A TO D UNITS AND TO USE F
3.0 CHART RECORDER SOFTWARE BY ABACOM OR OTHER SOFTWARE CHART
THAT WILL WORK WITH THE A TO D CONVERTER USED.

TONY DEVENCENZI