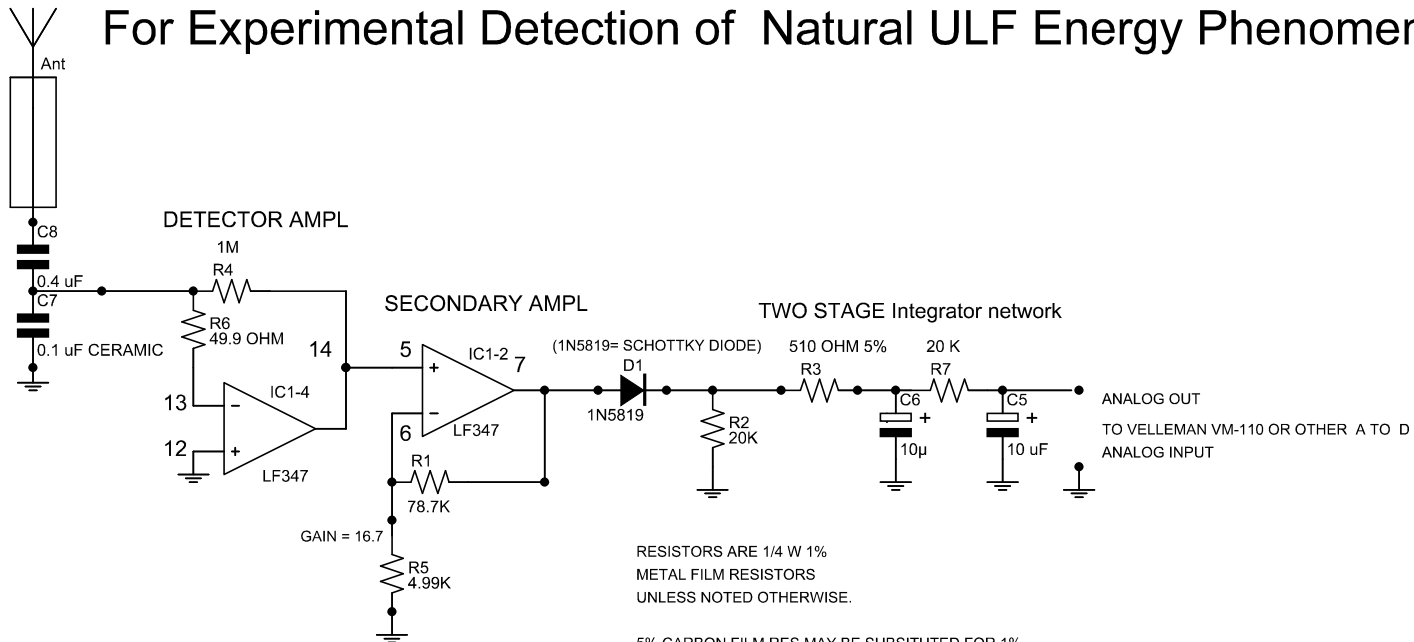


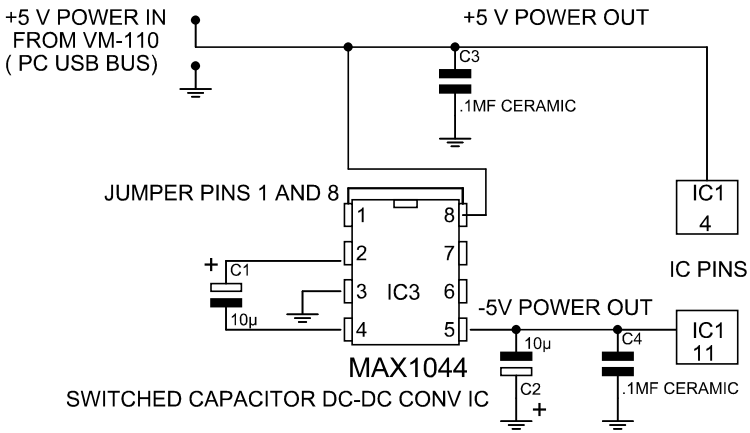
For Experimental Detection of Natural ULF Energy Phenomena

4" X 4" X 13:" ALUMINUM
BOX USED AS ANTENNA
OR SIMILAR METAL OBJECT



RESISTORS ARE 1/4 W 1%
METAL FILM RESISTORS
UNLESS NOTED OTHERWISE.

5% CARBON FILM RES MAY BE SUBSTITUTED FOR 1%
IF NECESSARY



E-FIELD ANTENNA ELECTRON SENSOR
WITH LONG TIME CONSTANT INTEGRATOR
TWO-STAGE 10 UF OUTPUT CIRCUIT

THIS CIRCUIT IS DESIGNED FOR SCIENTIFIC USE
IN THE DETECTION OF ULTRA LOW FREQUENCY ELECTRIC ACTIVITY

IT IS DESIGNED TO BE INTERFACED WITH A VELLEMAN VM-110 / K8055
A TO D AND PC USB INTERFACE BOARD OR OTHER A TO D UNITS AND TO USE F
3.0 CHART RECORDER SOFTWARE BY ABACOM OR OTHER SOFTWARE CHART
THAT WILL WORK WITH THE A TO D CONVERTER USED.

Tony Devencenzi / Peter Newton