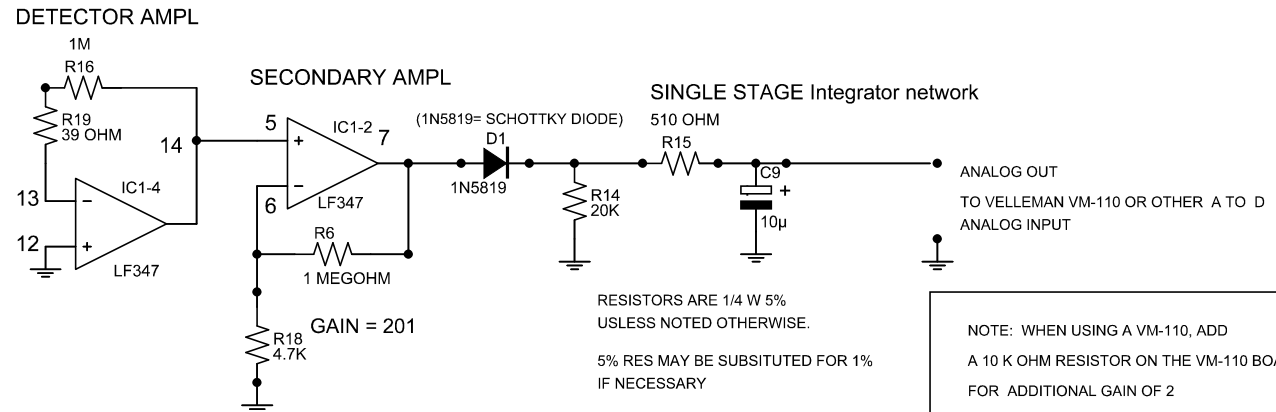
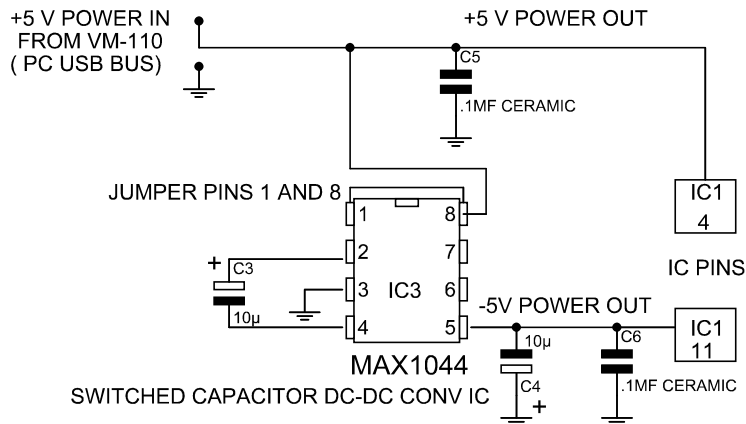


# For Experimental Detection of Natural ULF Energy Phenomena

CIRCUITRY IS IN GROUNDED STEEL BOX



NOTE: WHEN USING A VM-110, ADD  
A 10 K OHM RESISTOR ON THE VM-110 BOARD  
FOR ADDITIONAL GAIN OF 2



THIS CIRCUIT IS DESIGNED FOR SCIENTIFIC USE  
IN THE DETECTION OF ULTRA LOW FREQUENCY WAVE ACTIVITY

IT IS DESIGNED TO BE INTERFACED WITH A VELLEMAN VM-110 / K8055  
A TO D AND PC USB INTERFACE BOARD OR OTHER A TO D UNITS AND TO USE F  
3.0 CHART RECORDER SOFTWARE BY ABACOM OR OTHER SOFTWARE CHART  
THAT WILL WORK WITH THE A TO D CONVERTER USED.

Peter Newton / Tony Devencenzi Rev 2013