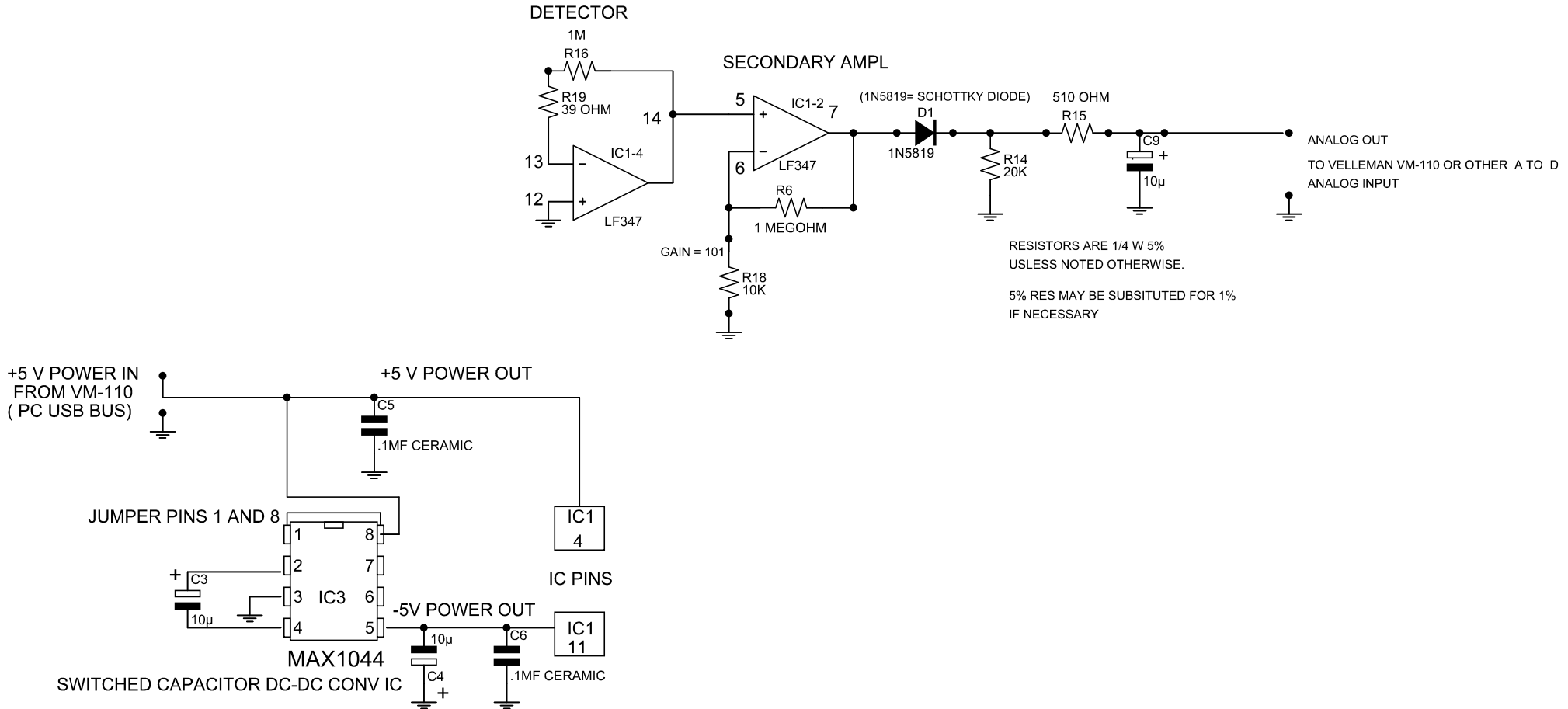


For Experimental Detection of ULF Activity

CIRCUITRY IS IN GROUNDED STEEL BOX



THIS CIRCUIT IS DESIGNED FOR SCIENTIFIC USE
IN THE DETECTION OF ULTRA LOW FREQUENCY WAVE ACTIVITY

IT IS DESIGNED TO BE INTERFACED WITH A VELLEMAN VM-110 / K8055
A TO D AND PC USB INTERFACE BOARD OR OTHER A TO D UNITS AND TO USE F
3.0 CHART RECORDER SOFTWARE BY ABACOM OR OTHER SOFTWARE CHART
THAT WILL WORK WITH THE A TO D CONVERTER USED.

TONY DEVENCENZI AND PETER NEWTON