

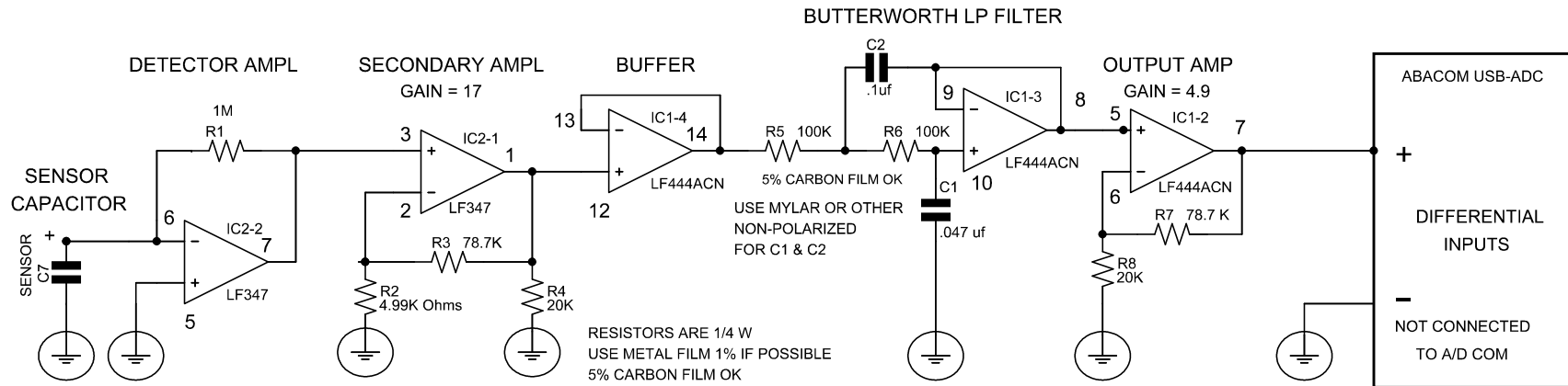
ULF-CP SENSOR

ENVIRONMENTAL CAPACITOR TYPE SENSOR

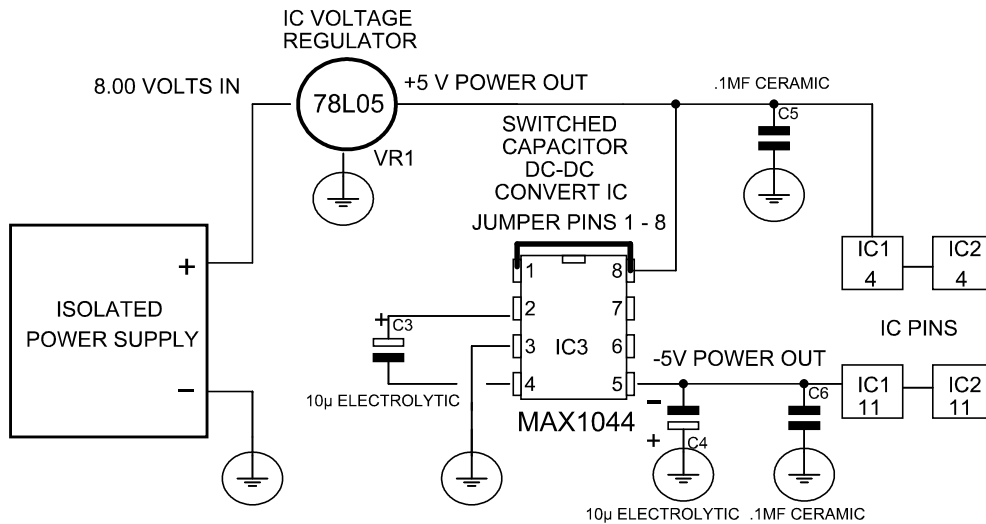
ULFCP2020 REV 2020-09-23

DETECTS NATURALLY OCCURRING WAVES (CONTINUOUS PULSATIONS)

FREQUENCY RANGE : 6.6 mHz = 150 Seconds/Cycle - to - 66 mHz = 15 Seconds/Cycle



NOTE: SENSOR GROUND NOT CONNECTED TO ABACOM A/D DEVICE COMMON OR TO PC GROUND OR TO EARTH. CONNECTED TO DIFFERENTIAL INPUT ONLY



THIS CIRCUIT IS DESIGNED FOR SCIENTIFIC USE IN THE DETECTION OF NATURAL ULF WAVES

IT IS DESIGNED TO BE USED WITH ABACOM MODEL "USB-ADC" USB INTERFACE ANALOG TO DIGITAL CONVERTER IT CAN BE USED WITH OTHER INTERFACE DEVICES THAT HAVE DIFFERENTIAL INPUTS. IT WORKED WELL WITH ABACOM MODEL USB-ADC AND REALVIEW SOFTWARE WHICH HAS A "SMOOTHING" FEATURE THAT FUNCTION LIKE A LOW PASS FILTER

(C) TONY DEVENCENZI 2017 REV 2020 frostalarm@att.net

POWER SUPPLY MUST HAVE NO CONNECTION TO EARTH,GROUND OR PC OR USB COMMON OR GROUND